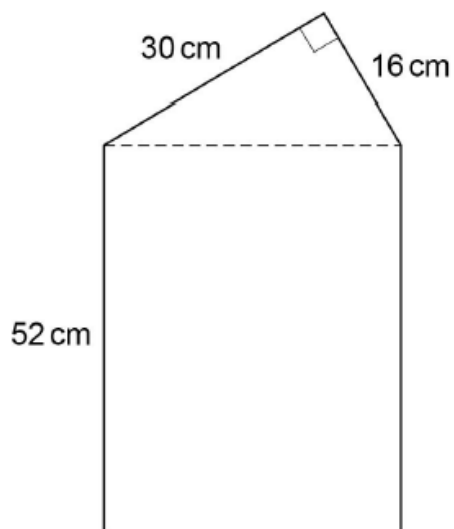


AQA – Mensuration and calculations – GCSE 2022 Mathematics

1. June/2023/Paper_8300/2F/No.27

A shape is made by joining a right-angled triangle to a rectangle.



Not drawn accurately

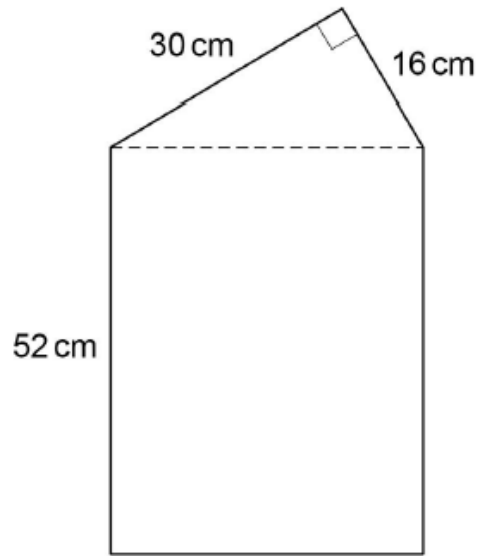
Work out the area of the shape.

[5 marks]

Answer _____ cm^2

2. June/2023/Paper_8300/2H/No.11

A shape is made by joining a right-angled triangle to a rectangle.



Not drawn accurately

Work out the area of the shape.

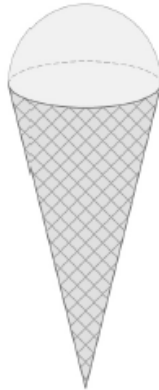
[5 marks]

Answer _____ cm²

3. June/2023/Paper_8300/2H/No.13

Outside a cafe there is a large plastic ice cream cornet.

The cornet is a hemisphere on top of a cone.



The cone and the hemisphere each have radius 24 cm

The cone has perpendicular height 117 cm

$$\text{Volume of a cone} = \frac{1}{3} \pi r^2 h$$

r is the radius

h is the perpendicular height

$$\text{Volume of a hemisphere} = \frac{2}{3} \pi r^3$$

r is the radius

- (a) Work out the total volume of the cornet.

[4 marks]

(b) The actual cornets that the cafe sells are **similar** to the plastic one.

For the actual cornets, the cone and the hemisphere each have radius 2 cm

How many times greater is the volume of the plastic cornet than an actual cornet?

[3 marks]

Answer _____

4. June/2023/Paper_8300/2H/No.27

To be rented, a bedroom must have a floor area of at least 6.51 m^2

A bedroom has a rectangular floor.

The floor measures 2.4 m by 2.9 m, each correct to 2 significant figures.

Show that the bedroom can be rented.

[3 marks]
